

MDS-3091-14H

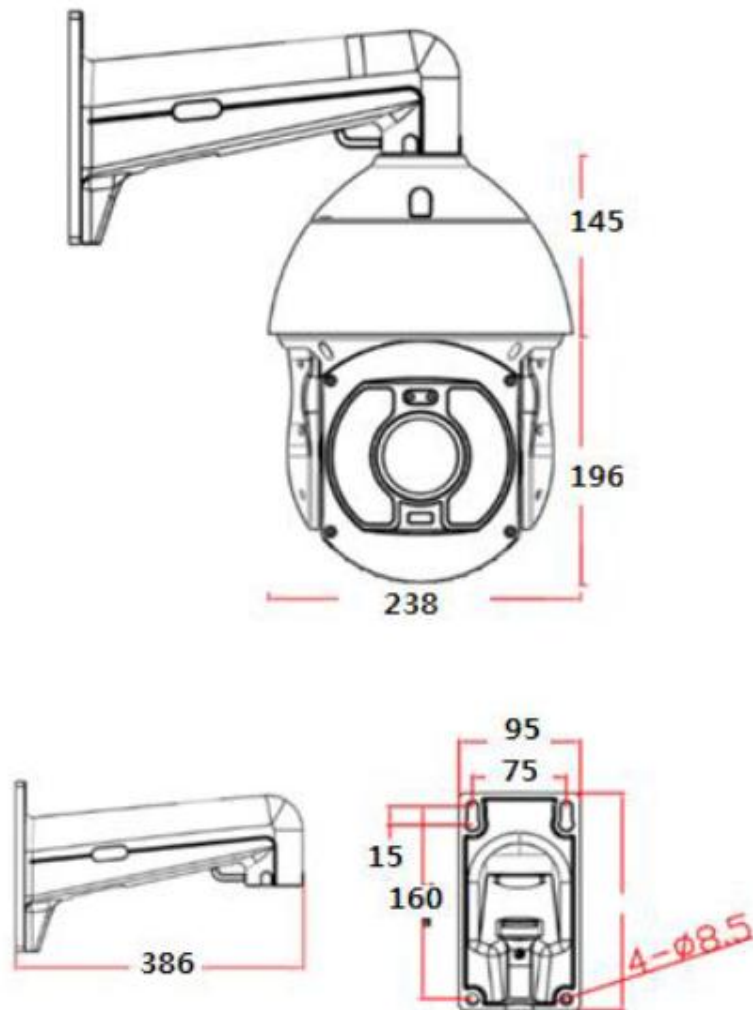
AHD 30x Optical Zoom 1080p IR Outdoor PTZ Dome Camera



Key Features

- 1/3" Progressive Scan CMOS Sensor
- Optical 30x Zoom, Digital 32x Zoom, Auto Focus
- Day & Night with ICR
- Low up to 0.003Lux with DSS(x32), LED On: 0Lux
- WDR(120dB), Digital Image Stabilizer, 3D DNR
- Motion, Privacy Masking (8), Defog, Time Schedule
- Preset(250), Group(12), Tour, Trace, Alarm(4/1)
- Outdoor Type(IP66), Dehumidification, Fan/Heater
- Max. IR Distance 250m (10 Hi-Power LEDs + 4 Laser LEDs)

Dimensions (Unit : mm)



Technical Specification

Camera	
Image Sensor	1/3" Progressive Scan CMOS Sensor
Scan mode	Progressive Scan
Resolution	1080p
Minimum illumination	Color : 0.5 Lux , BW : 0.1 Lux Min. 0.003 Lux w/DSS(32x), LED On : 0 Lux
S/N Ratio	More than 50dB
Lens	Optical x30 Zoom, Digital x32 Zoom (Total x960) f= 4.3mm (WIDE) ~ 129mm (TELE) (F1.6~F4.7)
Focus mode	Auto / Manual / Oneshot
Angle of view	V:71.3°(Wide)~2.58°(Tele), H:58.9°(Wide)~2.11°(Tele), V:45.3°(Wide)~1.61°(Tele)
Function	
Day & Night	Day / Auto Slow / Auto Fast / Night
Back Light	Off / WDR / HLC / BLC
White Balance	Auto / Indoor/ Outdoor
AGC	On/Off
DNR	Off / Low / Middle / Max / Auto
Defog	Off / Auto / Manual
Privacy / Motion	8 Zones / 1 Zone
Brightness	Level Setting
Color Level	Level Setting
Stabilizer	On/Off
IR Distance	Max. 250m (10 Hi-Power LEDs + 4 Laser LEDs)
Pan / Tilt	
Pan/Tilt angle	360° Endless / -10°~92°
Pan Speed	0.1° ~ 120°/sec (64 Levels), Preset: 240°/sec
Preset point	250 Presets
Alarm in/out	4 Inputs / 1 Relay Output
Environment	
Operating Humidity	95 % RH or less
Operating Temp.	- 50°C to 50°
Electrical	
Power Consumption	Max. 36W
Power Supply	AC24V, 50/60Hz
General	
Construction	Aluminum body & Plastic Window
Dimension	238(W)X341(H)mm
Weight	About 5Kg (Camera Only)